

Hatteras Light Power Pedestal - Specifications

Marina Power and Lighting Equipment

B. Lighting Assembly / Housing:

- a. The lighting top housing shall be constructed of 1/8" thick injection molded heavy resin material and shall be coated with a UV-resistant water based acrylic polymer. It shall be UL listed as a type 3R weatherproof enclosure.
- b. STANDARD - Each pedestal shall be equipped with a non-metered light. The lighting assembly shall include one LED light, that is controlled by an electromechanical photocell and protected by a 20 amp, single pole breaker.
- c. OPTION - Each pedestal shall be equipped with a non-metered CFL light, that is controlled by an electromechanical photocell and protected by a 20 amp, single pole breaker.

C. Wiring:

- a. The power pedestal shall be completely pre-wired at the factory to the load side of the compression lug assembly.
- b. All load copper wiring shall be of high stranding and tin plated to resist corrosion.
- c. The maximum size of the line wiring shall be # 2/0 AWG direct feed or #1 loop feed.

D. Loop Feed Bus Bar System:

- a. STANDARD - 140 Amp Bus Bar - The bus system shall be a 1/4" - silicon-bronze stud with a silicon-bronze Belleville type washer. The 1/4" - silicon-bronze hex-nut shall be torqued to 75 inch-pounds with a maximum amperage of 140 amps.
- b. OPTION - Single and double barrel mechanical bus bars - rated for copper or aluminum - are also available in sizes ranging from #8 to #2/0 AWG.

E. Grounding:

- a. All exposed metallic parts must have an integral ground that is a part of the equipment grounding system.

F. Receptacles:

- a. OPTION- Receptacles may remounted behind hinged, self closing polyvinyl gasketed cover
- b. All receptacles under 60 amps shall be of the corrosion resistant type conforming to NEMA L-5 and/or NEMA L-6 requirements and are rated for marine use.
- c. 20 Amp, 110 Volt, straight blade receptacles shall be GFI protected.
- d. 20 Amp, 125 Volt, twist-lock receptacles shall be 2 pole, 3 wire (NEMA L5-20).
- e. 30 Amp, 125 Volt, twist-lock receptacles shall be 2 pole, 3 wire (NEMA L5-30).
- f. 50 Amp, 125 Volt, twist-lock receptacles shall be 2 pole, 3 wire (NEMA SS-1).
- g. 50 Amp, 125/250 Volt, twist-lock receptacles shall be 3 pole, 4 wire (NEMA SS-2).

G. Circuit Breakers:

- a. All breakers for receptacles shall be of the thermal magnetic type, 10,000 A.I.C., and shall be UL listed.
- b. Circuit breakers shall be located under lockable, weatherproof door cover.
- c. Circuit breakers for the 20 Amp, 110 Volt, straight blade receptacles and the 20 Amp, 125 Volt, twist-lock receptacles shall be single pole, 20 Amp.

Hatteras Light Power Pedestal - Specifications

Marina Power and Lighting Equipment

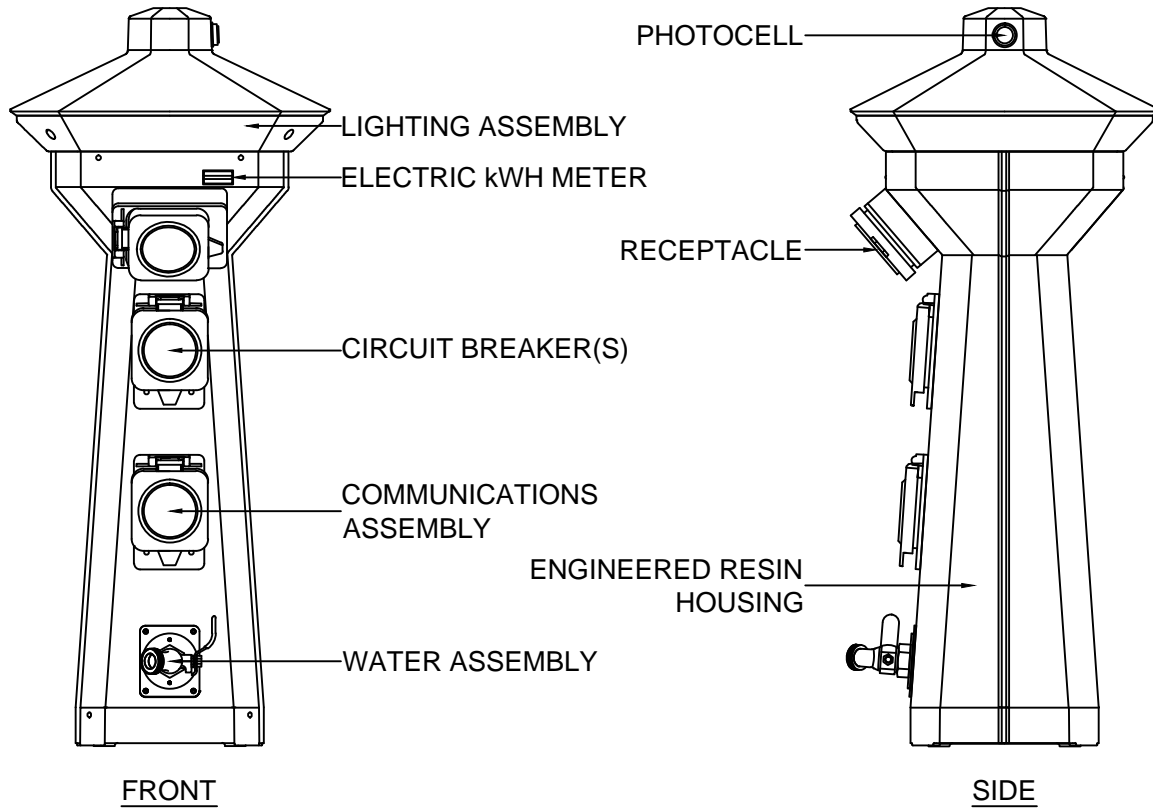
- d. Circuit Breakers for the 30 Amp, 125 Volt, twist-lock receptacles shall be single pole, 30 Amp.
 - e. Circuit Breakers for the 50 Amp, 125 Volt, twist-lock receptacles shall be single pole, 50 Amp.
 - f. Circuit breakers for the 50 Amp, 125/250 Volt, twist-lock receptacles shall be two pole, 50 Amp.
- H. Metering (Optional):
- a. 120 Amp Meter - The pedestals shall be equipped with fully electronic meters that display the kilowatts used at each slip on a non-resettable digital counter that is protected from the weather. The accuracy of the meters must be certified by the manufacturer to have a 120 ampere rating and no more than a 2% error when tested in accordance with ANSI.-C12.1.(California requires 1%).
- I. Communications (Optional):
- a. Each pedestal may be equipped with outlets for each slip. Each outlet shall contain a combination of RJ45 (internet) receptacles, RJ11 (telephone) receptacles, or male coax (cable TV) connectors under an injection-molded heavy resin, weather protective cover.
 - b. Each communication assembly shall include an internal isolation box for the separation of high and low voltage equipment.
- J. Water:
- a. Each pedestal shall be equipped with one or two 3/4" ball valves with each having a single 3/4" female NPT fitting.
- K. Power Pedestals for A.D.A. Slips (Designated as Handicap Accessible):
- a. Power pedestals installed on designated handicap accessible slips shall comply with the guidelines of the Americans With Disabilities Act of 1990.

(END OF SECTION)

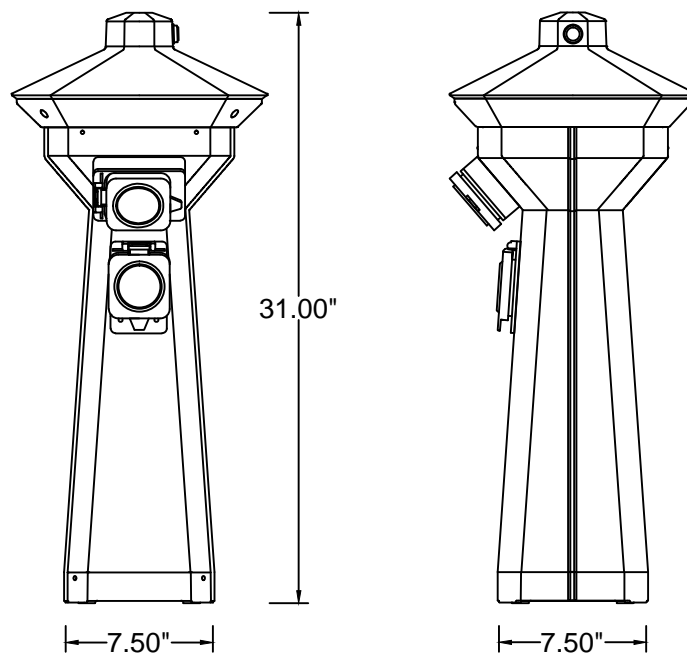
Hatteras Light Power Pedestal - Specifications

Marina Power and Lighting Equipment

Product Features (cont.)



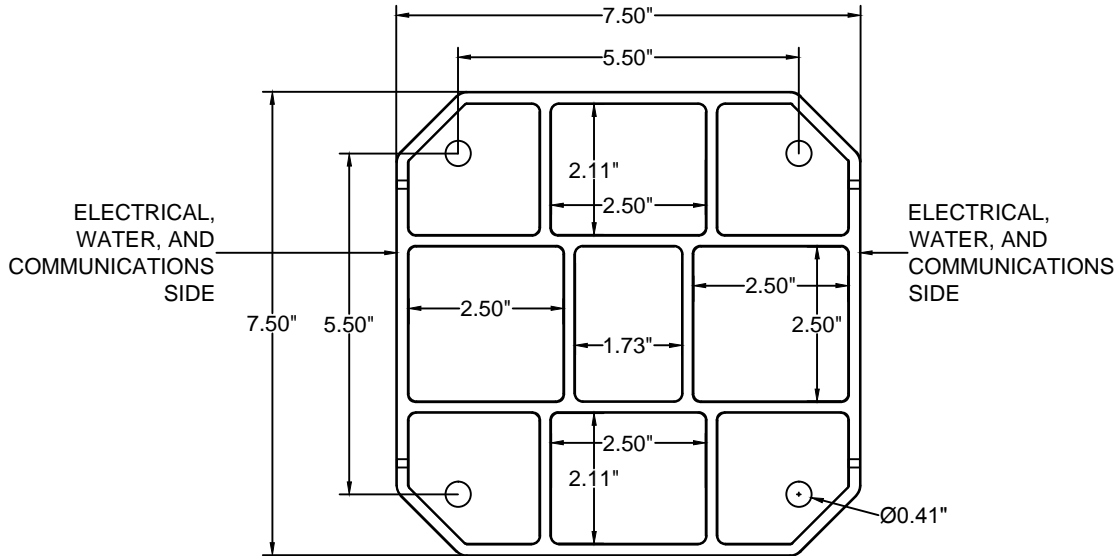
Dimensions



Hatteras Light Power Pedestal - Specifications

Marina Power and Lighting Equipment

Base Dimensions



Wiring Diagram - Stud Lug Bus Bar

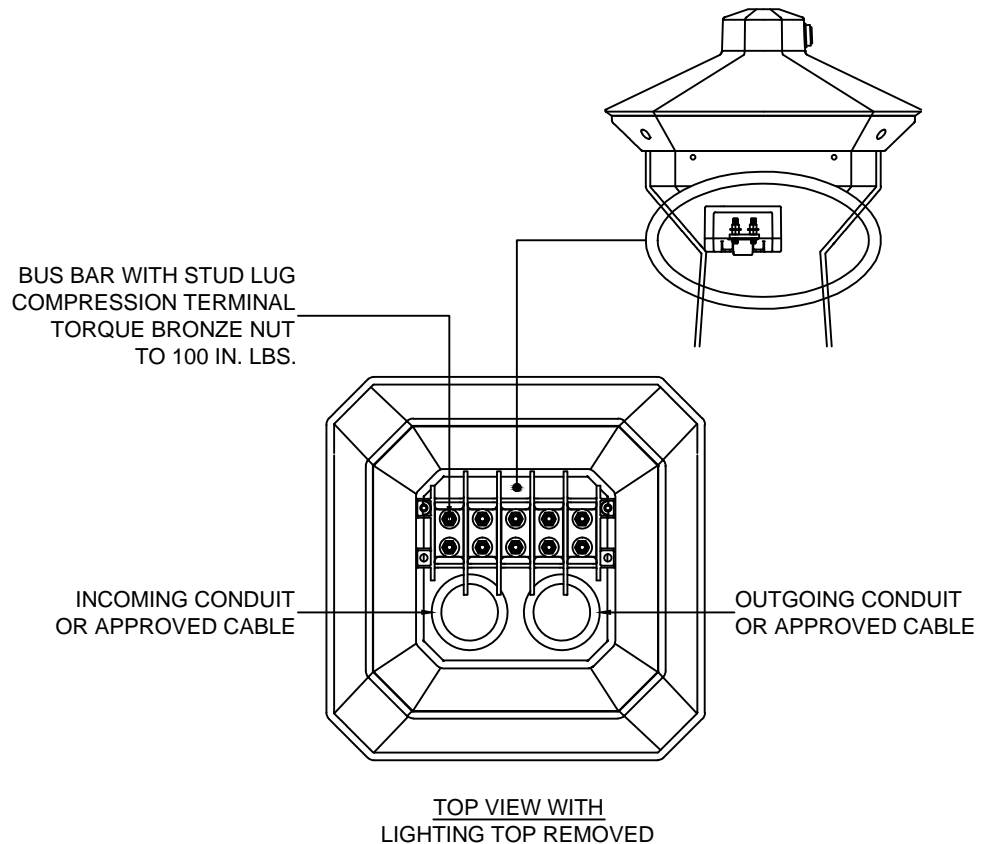
Wire Colors Per NEC

Line 1	L1	Black
Neutral	N	White
Line 2	L2	Red
Line 3	L3	Blue
Ground	G	Green



Compression Terminals (Not Included)

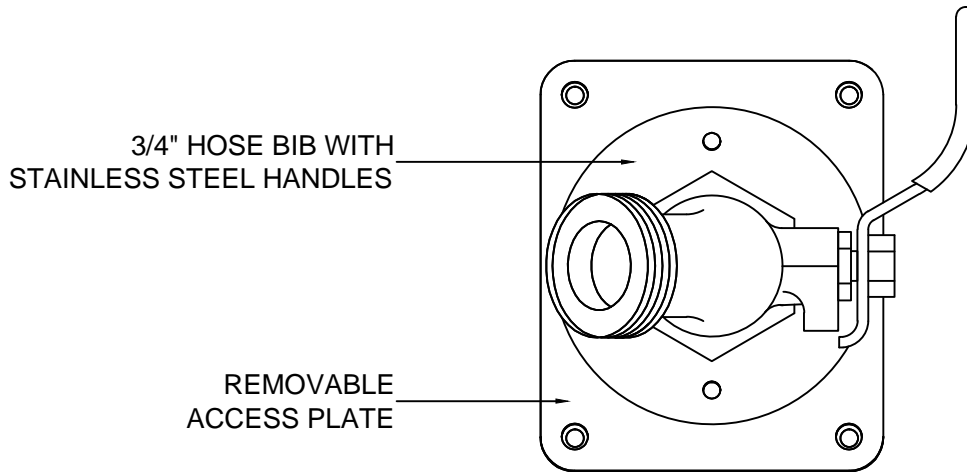
Contractor needs to terminals to line wires and place on provided stud lug connector. Max width of compression lug to be X



Hatteras Light Power Pedestal - Specifications

Marina Power and Lighting Equipment

Water Assembly



Communications

COMMUNICATION ASSEMBLIES INCLUDE ISOLATION BOXES FOR INTERNAL CONNECTIONS

CONNECTIONS AVAILABLE:

- MARINE TWIST-LOCK TELEPHONE
- RJ-12 CAT3 TELEPHONE JACK (HOUSEHOLD PHONE)
- RJ-45 CAT5 HIGH-SPEED INTERNET JACK
- COAX CABLE TV FCF FEMALE CONNECTION
- OTHER CONNECTIONS AVAILABLE UPON REQUEST

